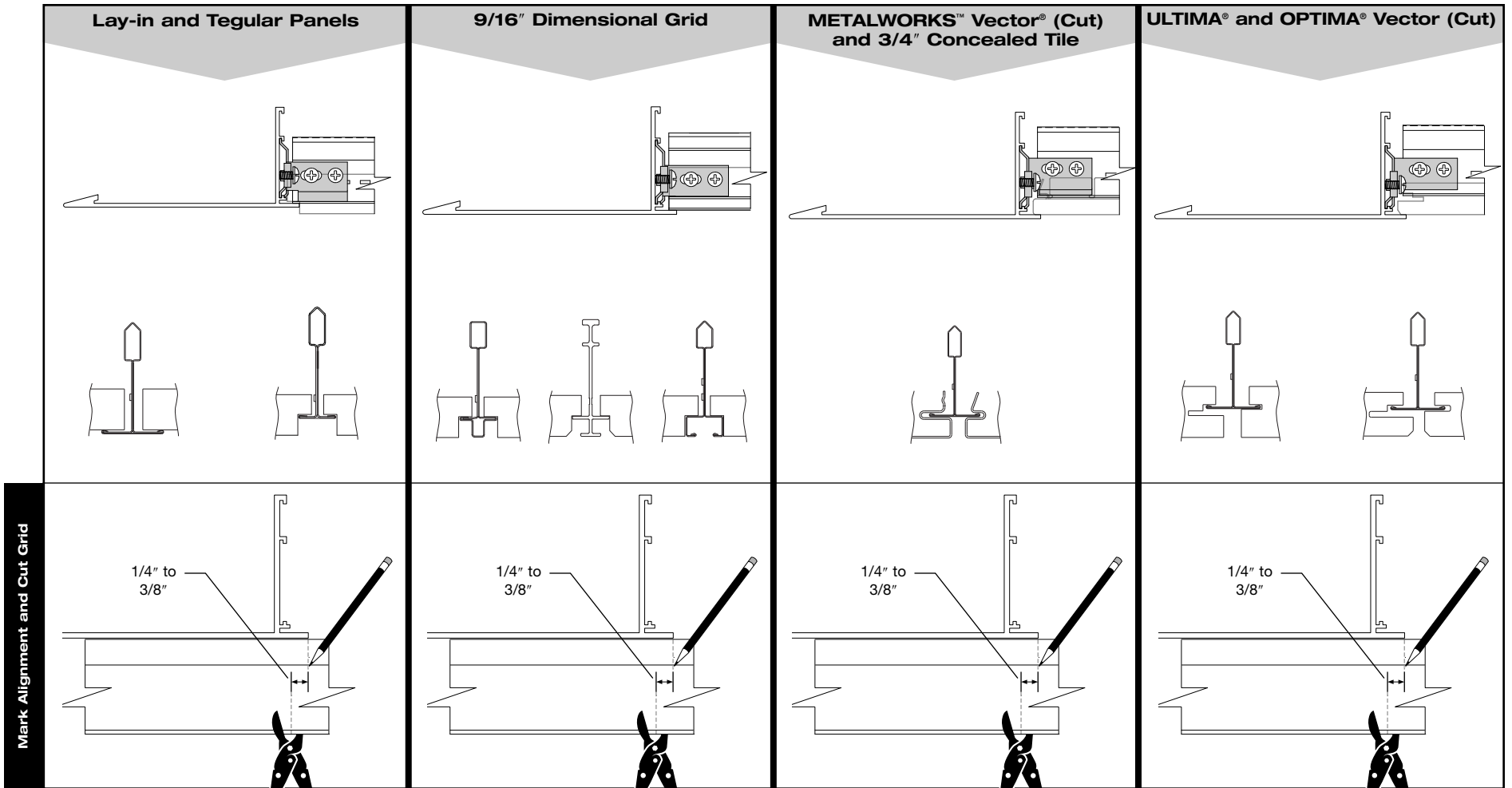
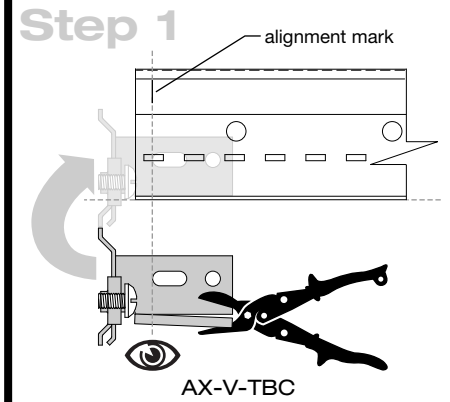
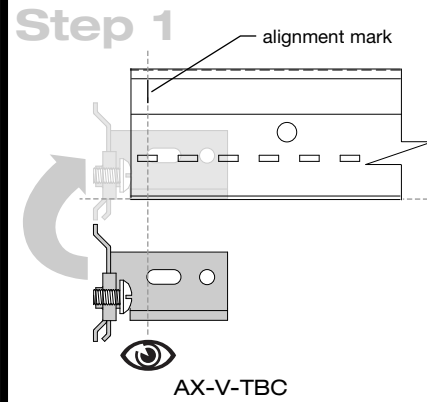
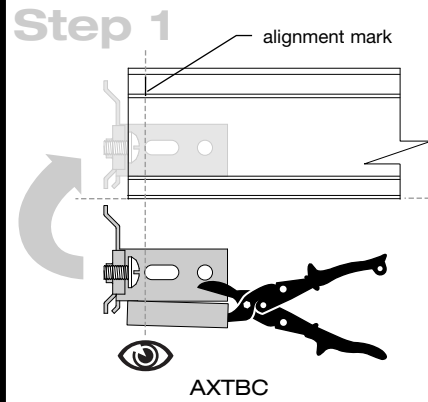
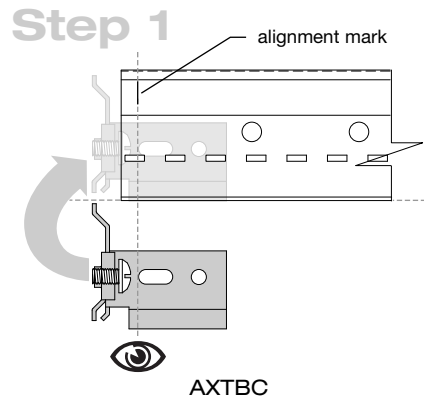


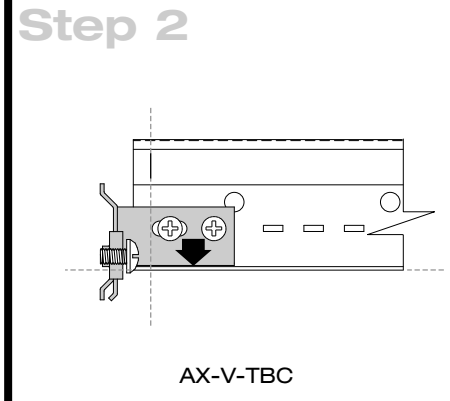
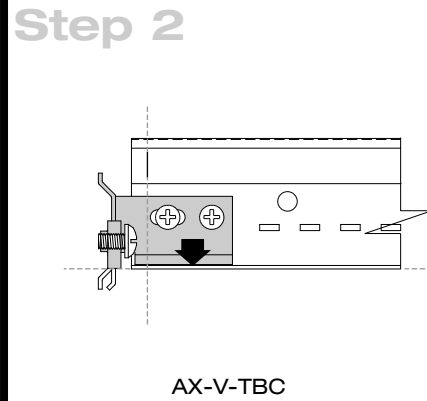
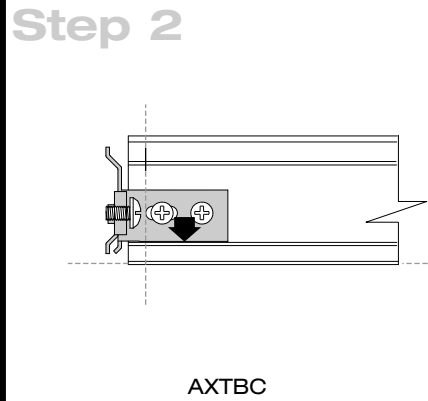
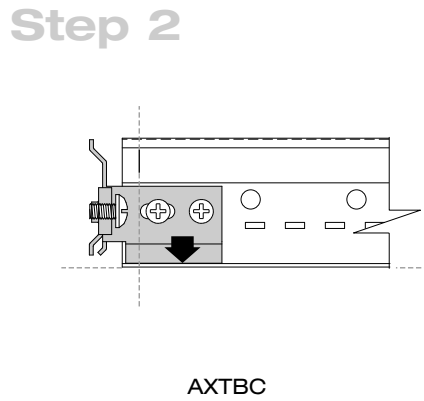
AXIOM®-Knife Edge® Perimeter Trim Assembly



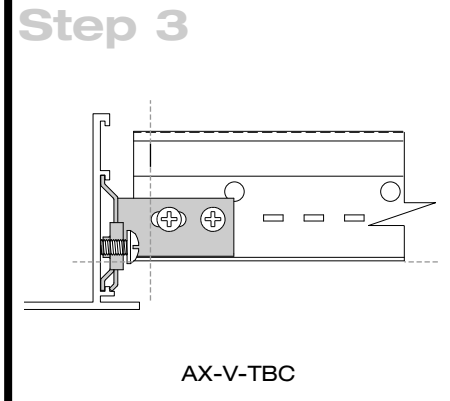
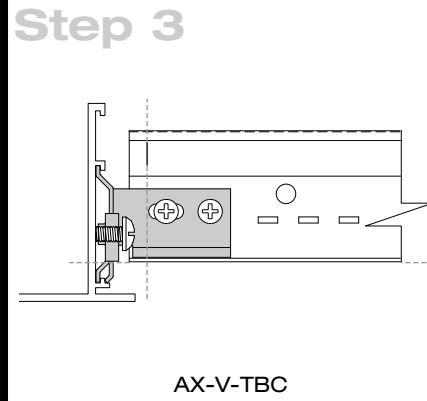
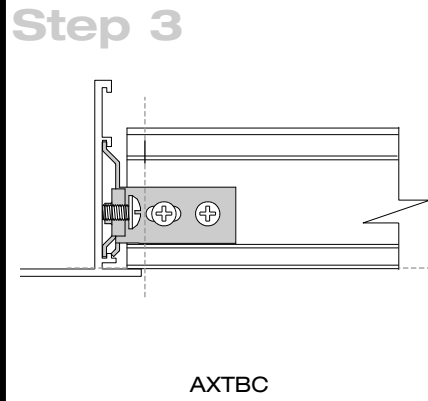
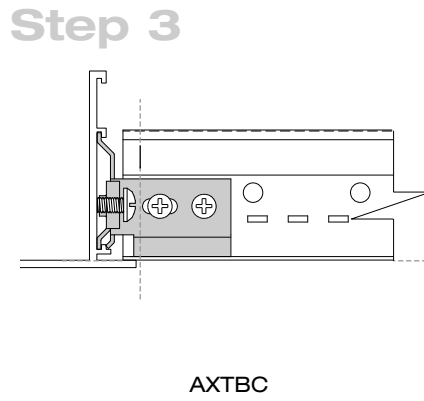
T-Bar Connector Clips
(AXTBC or AXV-TBC)



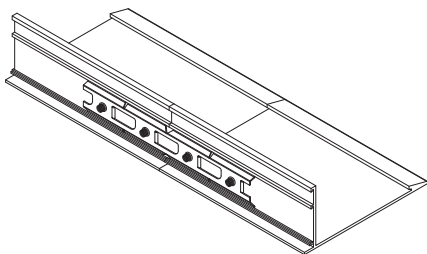
Rest Clip On Grid Flange
And Attach with Screws



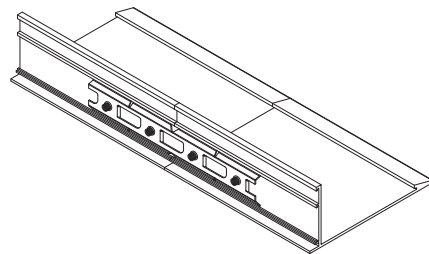
Place Clip into Trim Channel



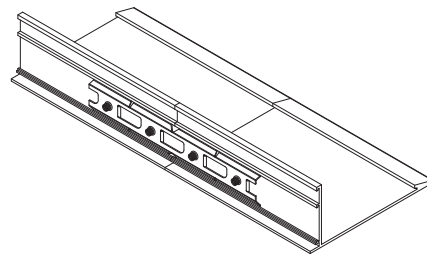
Splice Plate For Straight Connections and Curved (AX4SPLICEB)



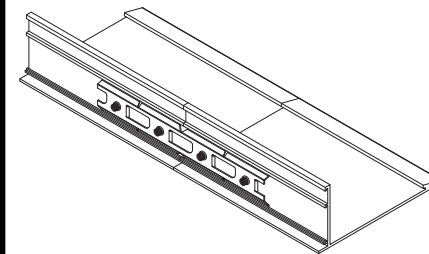
AX4SPLICEB



AX4SPLICEB

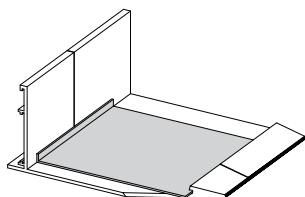


AX4SPLICEB

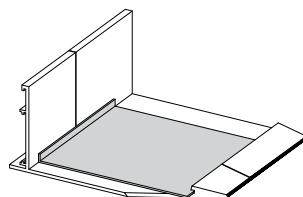


AX4SPLICEB

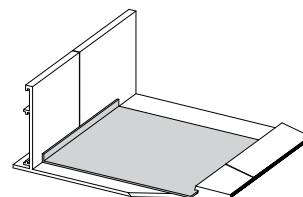
Alignment Plate at all Splice Connections



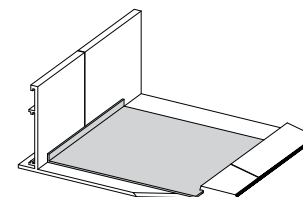
AXKEALIGN



AXKEALIGN

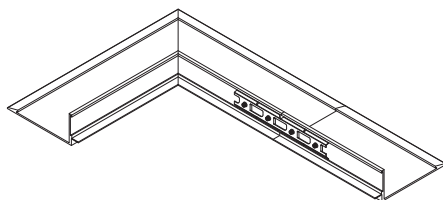


AXKEALIGN

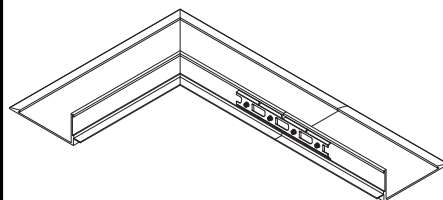


AXKEALIGN

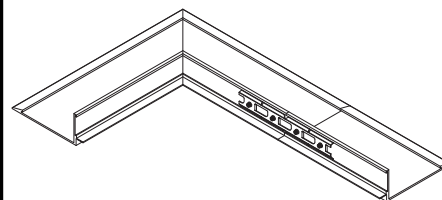
Splice Plate For Vector Corner to Straight Connection



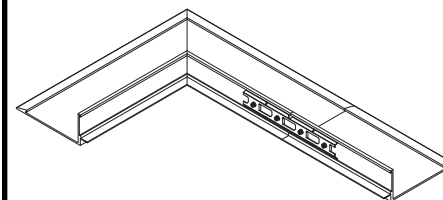
AX4SPLICEB



AX4SPLICEB



AX4SPLICEB



AX4SPLICEB



Mixed Sources
Product group from well-managed
forests, controlled sources and
recycled wood or fiber
www.fsc.org Cert. no. SW-COC-003348
© 1996 Forest Stewardship Council



Printed on recyclable paper
with vegetable-based inks.
Please Recycle.

TechLineSM / 1 877 ARMSTRONG
1 877 276-7876
armstrong.com

LA-295831-209

2009 AWI Licensing Co.

Printed in the United States of America