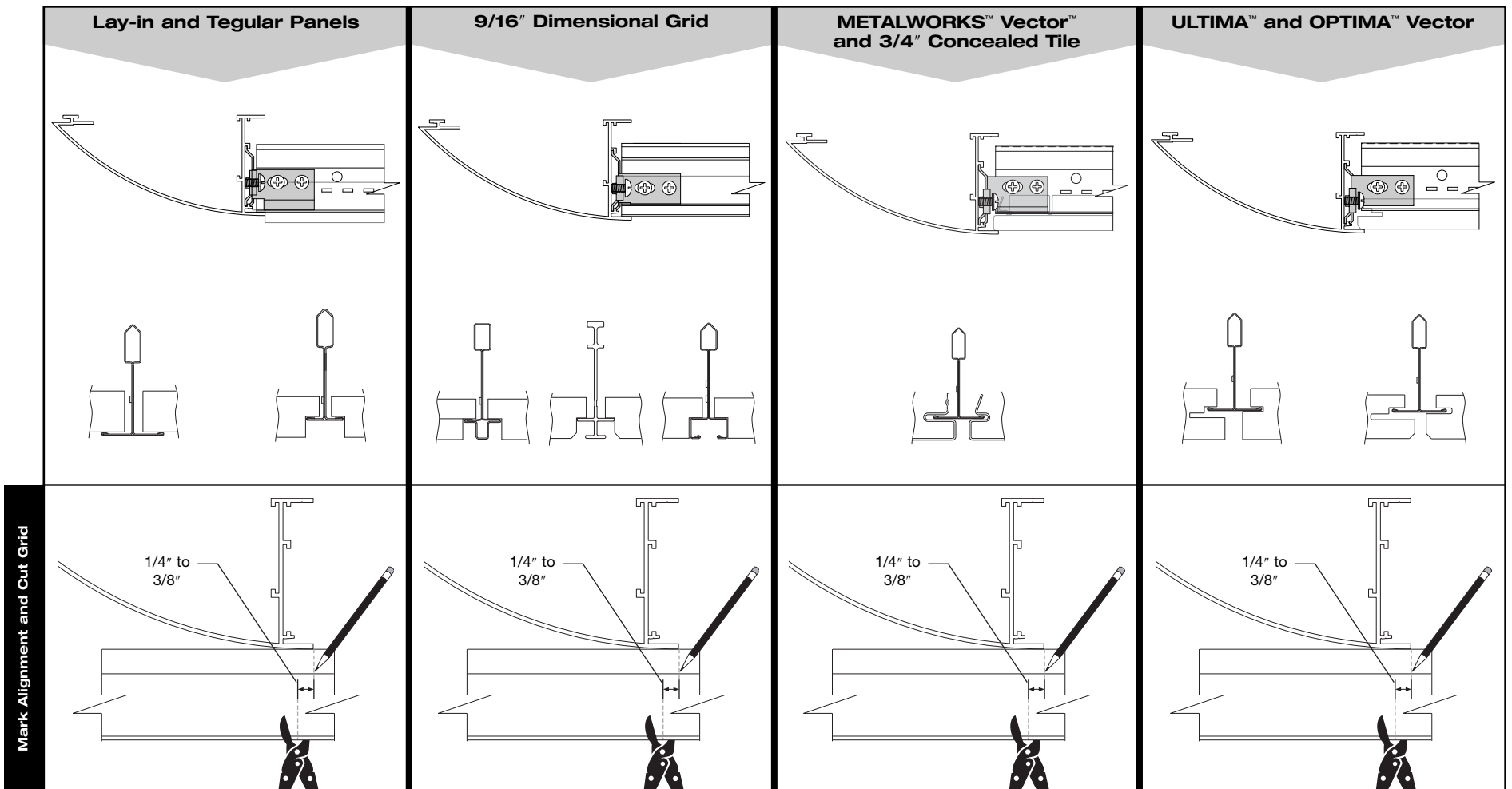
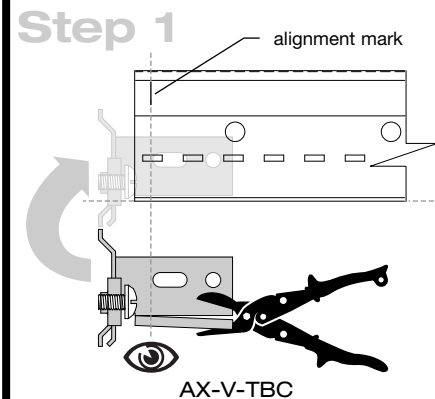
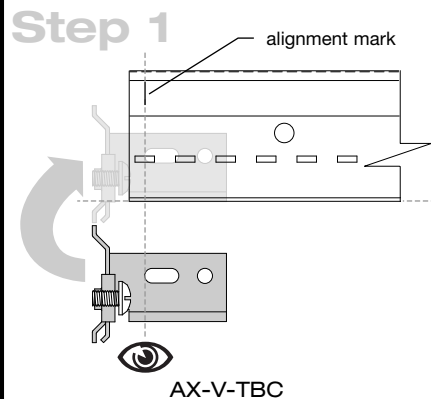
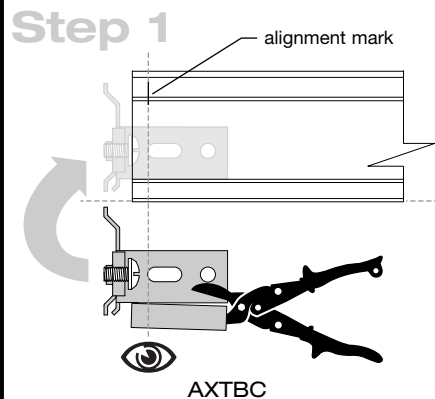
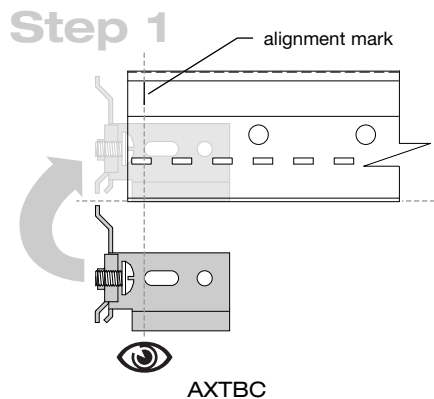


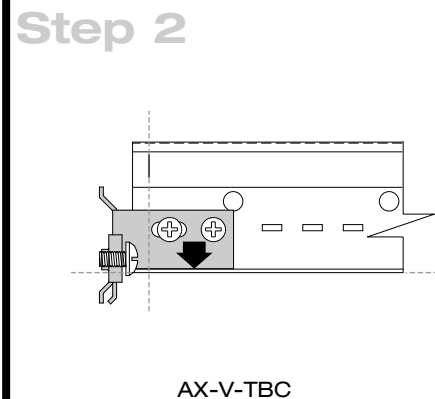
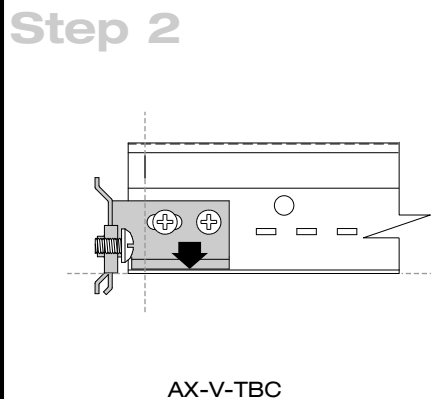
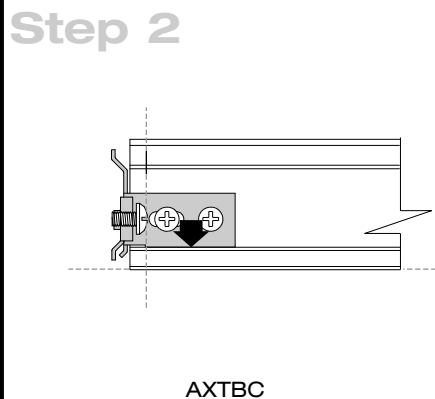
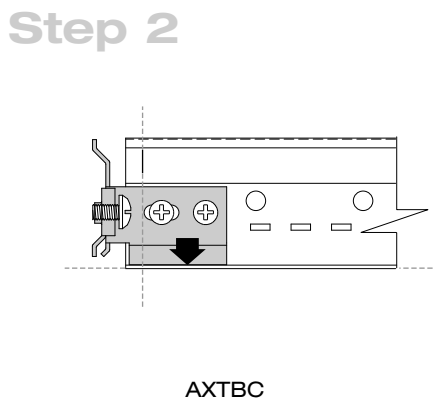
## AXIOM®-Profiled Perimeter Trim Assembly



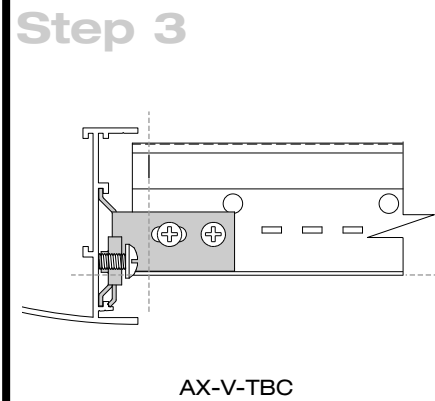
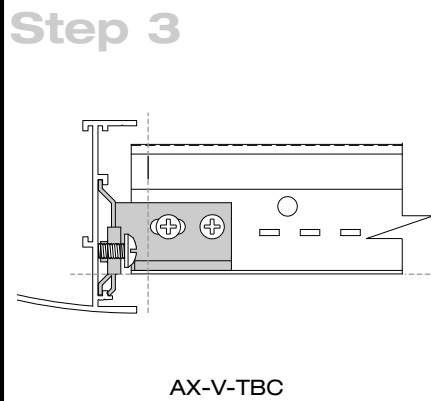
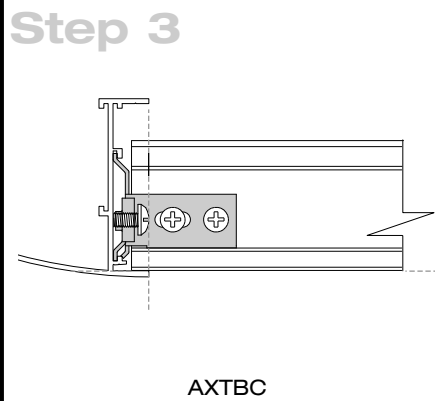
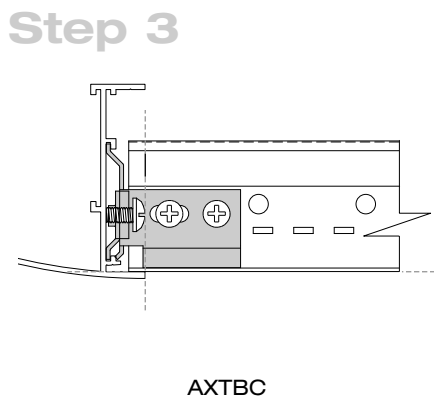
T-Bar Connector Clips  
(AXTBC or AXV-TBC)



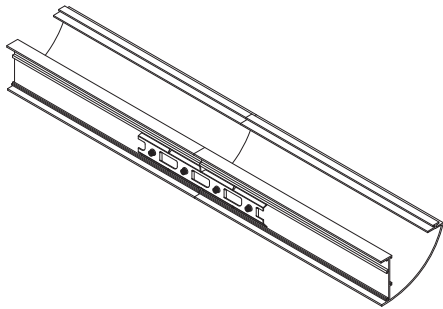
Rest Clip On Grid Flange  
And Attach with Screws



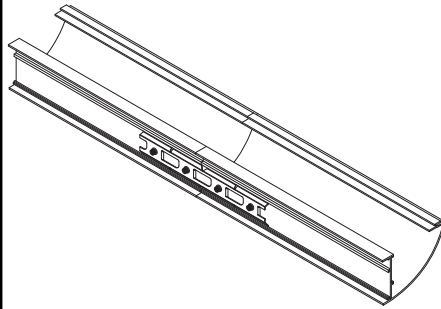
Place Clip into Trim Channel



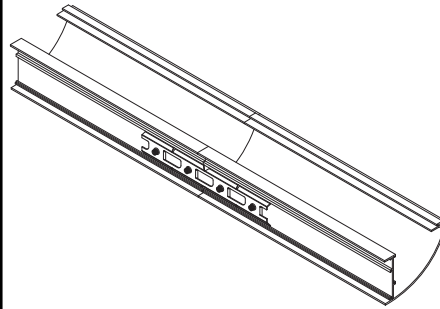
Splice Plate For Straight Connections and Curved (AX4SPLICEB)



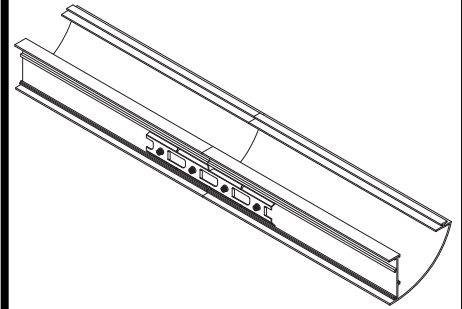
AX4SPLICEB



AX4SPLICEB

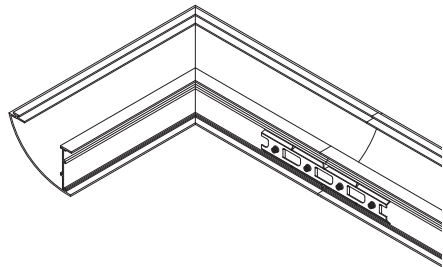


AX4SPLICEB

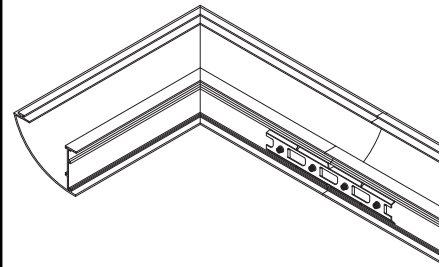


AX4SPLICEB

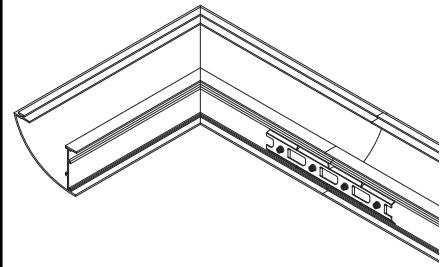
Splice Plate For Corner to Straight Connection



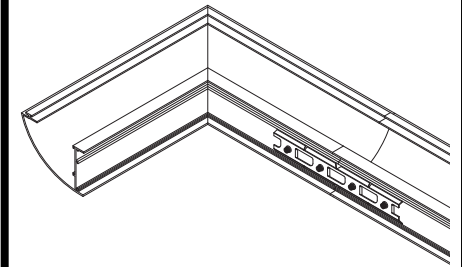
AX4SPLICEB



AX4SPLICEB



AX4SPLICEB



AX4SPLICEB

TechLine<sup>SM</sup> / 1 877 ARMSTRONG  
1 877 276-7876  
armstrong.com

LA-295830-209

2009 AWI Licensing Co.



Printed on recyclable paper  
with vegetable-based inks.  
Please Recycle. ♻️

Printed in the United States of America