

CEILING SYSTEMS

[Between us, ideas become reality.]®

FORMATIONS™ Curves™ Clouds with AXIOM® Vector® Trim and Suspension System Assembly and Installation Instructions

1. DESCRIPTION

1.1 Formations™ Curves is a ceiling cloud system designed to create ready-to-assemble circular, oval and rounded square installations sized from 6' circles to 14' x 14' rounded squares. Formations are designed to work with Armstrong OPTIMA™ and ULTIMA Vector™ panels and Prelude 15/16" grid.

1.1.2 Included in the Kit are:

- Axiom-Vector Trim, with factory curved and cut ends, detailed to form a cloud to the required size and shape.
- Suspension system components cut-to-length to complete the installation.
- Aircraft Cable, cut to 10' length, in the amount required for the installation
- StrongBack™ carrying channel, cut-to-length to accommodate installation of the aircraft cable 24" from the vertical face of the Axiom trim.
- Axiom splices to join together sections of Axiom
- Axiom Connector Clips to join suspension system components to the Axiom Trim
- Axiom component diagram to properly position perimeter trim sections

NOTE: Pop-rivets, screws and hardware required for attachment to structure are not included.

Kits contain all of the components required to construct and hang a complete cloud except for the screws or pop-rivets needed to attach the clips to the grid members and the hardware needed for attachment to structure.

1.1.3 Ceiling panels are ordered separately. The curved panels are provided as a kit for either Optima or Ultima Vector. Full size panels are standard #3900 Optima Vector or #1920 Ultima Vector. Do not field cut curved panels. Call 1 877 ARMSTRONG to order panels.

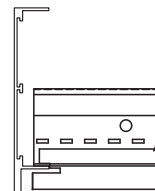
1.1.4 Most building codes require non-structural building components to be restrained. Armstrong also recommends restraint in accordance with local building code requirements. Please consult with the building code professional having jurisdiction over the project to determine appropriate restraint requirements for this installation. Restraints are not included in this kit.

1.1.5 Formations, as with other architectural features located in the ceiling plane, may obstruct or skew the existing or planned fire sprinkler water distribution pattern, or possibly delay the activation of the fire sprinkler or fire detection system. Designers and installers are advised to consult a fire protection engineer, NFPA 13, and their local codes for guidance on the proper installation techniques where fire detection or suppression systems are present.

CAUTION: Ceiling panels used in Formations Clouds must be limited to no more than 1.25 lb/sf. Use of panels weighing more than this stated limit could result in failure of suspension system components.

2. INSTALLATION

IMPORTANT NOTE: The Axiom-Vector trim is to be installed with the flange side down when being used with an Armstrong Vector panel.



3. PRE-ASSEMBLY

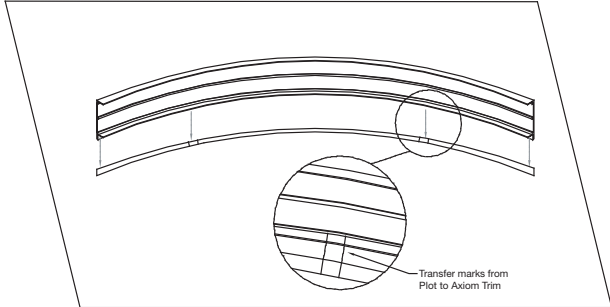
3.1 Review the layout drawing for the cloud and verify that kit contents are complete. Call 800-840-8521 to request replacements for missing or damaged grid or Axiom components.

3.2 Review the location of the StrongBack carrying channels. They will be located 2' from the longest side of the cloud and then 4' on center. Note that in some instances this pattern will result in two StrongBack carrying channels being positioned 2' from one another at the center of the cloud).

3.3 Locate the full size plots for the curved sections of Axiom trim.

3.4 Lay each curved section onto the corresponding plot and transfer the grid location marks to the inside of the Axiom flange. Make sure that the “fin” side of the trim is facing the plot.

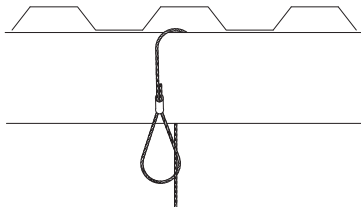
3.5 Some shapes will combine straight and curved sections of Axiom. Mark the grid locations on the straight sections by measuring in 12" from one end, and then 24" on center along the part. These marks will represent the centerline of the grid. Measure and mark 1/2" on each side of these marks so that you will be able to accurately align the edge of the grid flange with your marks.



4. ATTACH HANGING CABLES TO STRUCTURE

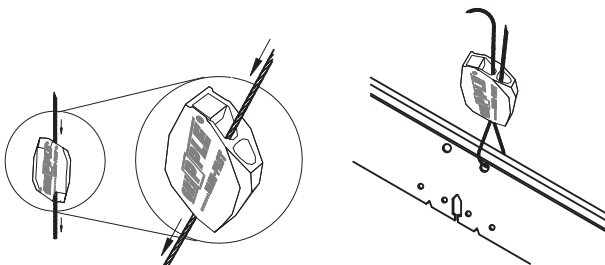
4.1 Hanging cables (item AC1210) are located along the length of the StrongBack carrying channel starting 1' from the end (2' from the edges of the cloud) and then 4' on centers (note that in some instances this pattern will result in two hanging cables being positioned 2' from one another at the center of the cloud).

4.2 Hardware for the attachment of the cable to the building structure is not provided. Cables are fitted with a loop at one end that is to be cinched to mounting hardware appropriate for the surface to which it is attached. Select hardware that will be capable of supporting a minimum of 200 pounds.



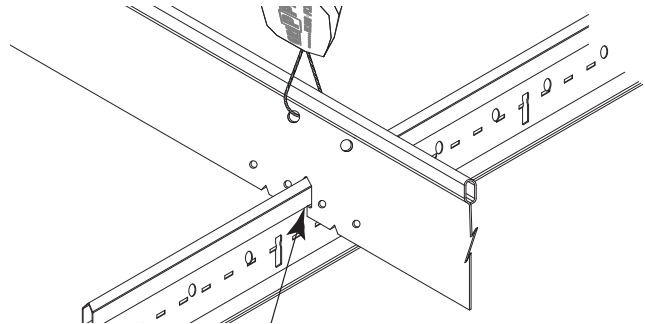
5. HANG STRONGBACK CHANNELS

5.1 Attach the Axiom StrongBack Hanging Channels (item SHC4, 6, 8, 10, 12) to hanging cables using the adjustable “Quick Loop” connectors (item ACHC) provided with the kit. Insert the cable through one end of the connector and then through the appropriate hanger wire hole on the support channel. Slide the cable back through the “Quick Loop” connector and adjust to the correct elevation. Follow the instructions provided with the connectors if it becomes necessary to release the cable from the connector.

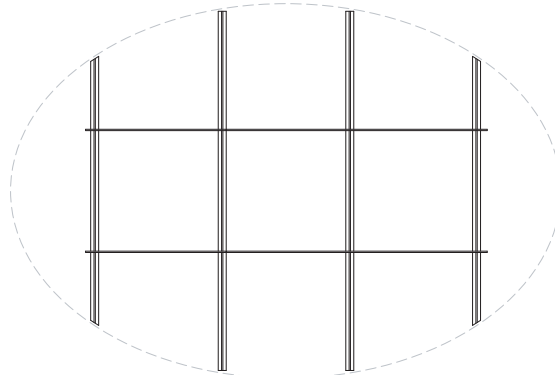


6. INSTALL MAINS

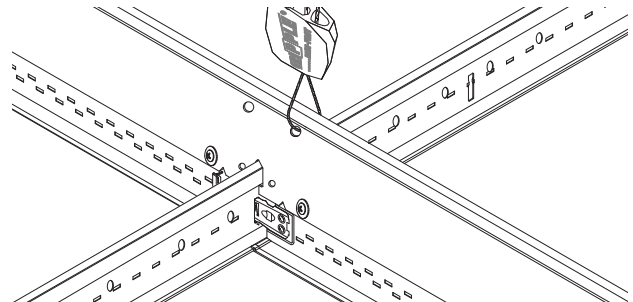
6.1 Install mains into the appropriate notches on the StrongBack Hanging Channels. The first main will be 1' from the end of the channel and the remainder will be placed at 2' centers. Slide the main through the notches or bend the tab on one side of the notch out of the way so that the main can be installed from below. Bend the tab back into position under the bulb of the main.



6.2 Mains that fall on curved sections of trim have ends that are cut at an angle. Consult the layout drawing to make sure that mains are correctly installed and that the long side of the angle is positioned toward the center of the cloud.



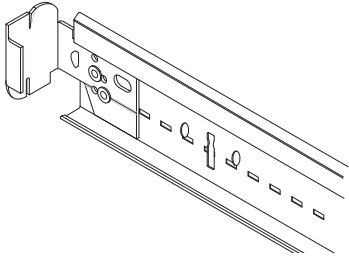
6.3 Attach Axiom Cross Tee Clips (item AXCCLT) to each end of each FULL LENGTH main by positioning as shown in the drawing. The top of the clip should touch the bottom of the bulb of the grid and the end of the main should contact the thumb nail stop on the clip. Secure each clip with two pop-rivets or #8 sheet metal screws (note that pop-rivets are preferred over screws because they will not interfere with the placement of the ceiling panels).



NOTE: DO NOT ATTACH CLIPS TO THE ENDS OF MAINS THAT ARE CUT AT AN ANGLE. These will be installed later.

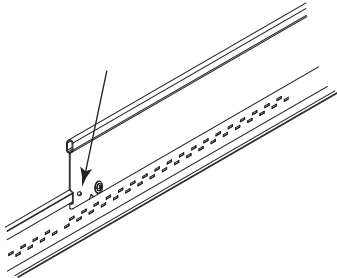
7. INSTALL TEES

7.1 Install 2' cross tees between mains. Slide the StrongBack Hanging Channel along the mains so that it rests against the cross tees. Screw the support channel to the tees by inserting a #8 x 9/16" sharp point sheet metal screw into the holes on each side of the main as shown in the drawing below.

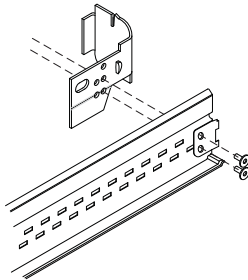


7.2 Install the perimeter tees. Pay particular attention to the assembly drawing to ensure that each tee is properly placed. There will be right hand and left hand tees that fall onto the curved trim sections.

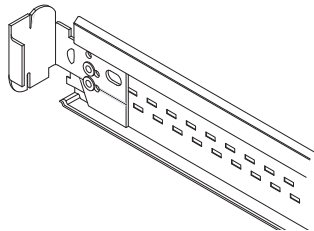
7.3 Bend the tabs at the ends of the StrongBack support channel as shown so that they will fit under the bottom of the bulb of the tees and secure with a #8 x 9/16" screw.



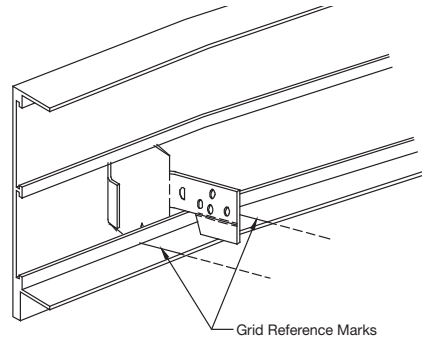
7.4 Cut away the end detail on the cross tees that will engage the straight Axiom trim sections (if not already done). Attach an Axiom Cross Tee Clip (item AXCCLT) to the end of each tee, that falls on a straight section of trim, as shown.



7.4.1 Note that pop-rivets are preferred over screws. Align the clip such that the lower two holes in the three-hole line match up with the holes in the end of the tee. Insert two fasteners through the tee and into the clip.



7.5 Insert AXCCLT clips into the curved sections of trim at the location of the marks made in step 3.4. Grasp the protruding leg of the clip with a pair of pliers and bend it to align with the grid marks.



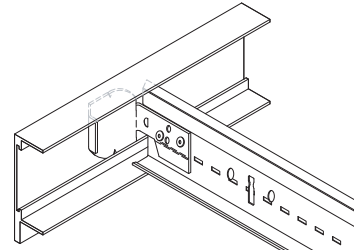
7.5.1 Move each clip, by tapping with a hammer or similar tool, to position near the center of each pair of grid marks. Final position will be adjusted later.

8. INSTALL AXIOM TRIM

8.1 Use the assembly drawing provided to arrange the Axiom trim sections in the proper sequence.

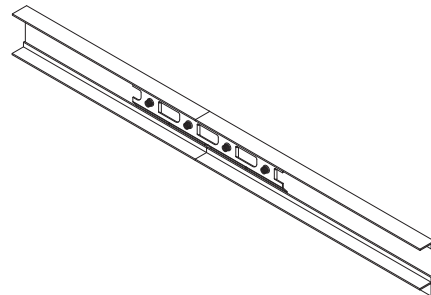
8.2 Install straight sections of trim.

8.2.1 Twist the grid member, with Axiom Cross Tee Clip attached, and engage it into the bosses on the Axiom trim. Hold the tab on the clip in a pair of pliers and lock in place by twisting in the clockwise direction.



8.2.2 Repeat this process for all clips that fall on straight sections of trim. Adjust position of installed grid members by tapping to align with grid reference marks.

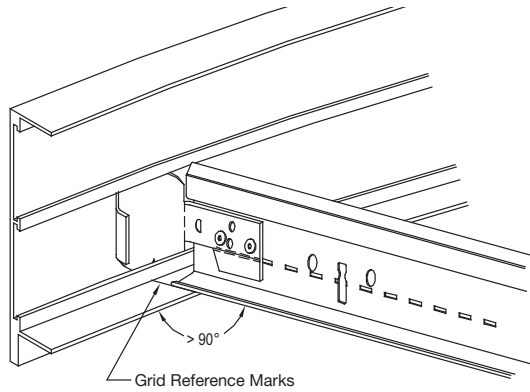
8.3 Connect sections of Axiom trim with splice plates as required. The supplied assembly drawing will show the correct quantity and location for splice plates.



8.3.1 DO NOT OVERTIGHTEN SET SCREWS. Excessive torque will result in deformation of the trim that will show on the finished surface.

8.4 Install curved trim sections.

8.4.1 Position each curved section of trim so that the clips will lie against the side of the grid members that will allow access for the screw gun. Clamp in place with the end of the grid touching the shoulder at the top of the clip.



8.4.2 Fasten each bent clip to the grid by inserting two pop-rivets or screws through the holes provided in the clip.

8.4.3 Adjust the location of the clips to align accurately with the grid reference marks made in step 3.4

9. INSTALL RESTRAINT/SEISMIC BRACING

9.1 Restraint for Clouds installed on projects where anticipated seismic activity will be light (IBC seismic design categories A & B) can be accomplished by installing a pair of crossed cables 2' in from each edge of the assembly. These cables should attach to the support channels and be sloped no more than 45° from horizontal.

9.2 In areas where anticipated seismic activity will be moderate to severe the crossed cables should be replaced with a bracing system more appropriate for the forces that will be encountered.

9.2.1 Testing conducted at the Structural Engineering Earthquake Simulation Laboratory, located at the State University of New York - Buffalo campus produced satisfactory results with rigid bracing fabricated from 1/2" EMT conduit.

9.2.2 The tested bracing system consisted of a vertical member extending from the support channel to the structure above near each corner of the cloud. These members were positioned at the main beam/support channel intersections closest to the corners of the assembly. Two additional members were fastened to the bottom of the vertical and extended to the structure at an angle not exceeding 45° from horizontal. These members were parallel to the sides of the cloud.

9.2.3 Restraint/bracing systems should be approved by the project design team and reviewed with local building department.

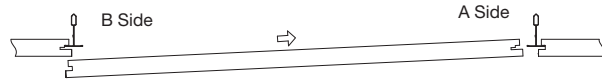
9.3 Clean and align Axiom and grid components

10. INSTALL CEILING PANELS

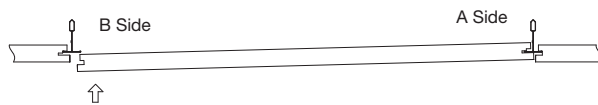
10.1 **IMPORTANT NOTE:** Ultima and Optima Vector panels should be installed with Seismic Hold Down Clips (item 442) in all projects designated as Seismic Design Category D, E, or F. Refer to installation instruction (CS-3426 0602) for guidance on the correct application of these clips.

10.2 Begin panel installation with the smallest curved edge panels. Refer to the panel layout drawing packaged with the set of curved panels to verify correct location.

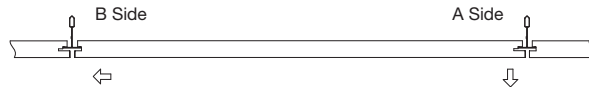
10.2.1 Insert the "A" edge of the panel, the one with the double cut kerf, onto the grid flange. Make sure that the flange is fully inserted into the kerf.



10.2.2 Raise the panel up into the plane of the ceiling and slide toward the trim to engage the "B" edge.



10.2.3 Make sure that the "A" edge drops down to the lower kerf position.



10.3 Install remaining panels that have curved edges. Work carefully to avoid damage or soiling of panels.

10.4 Complete installation of the remaining 2' x 2' panels to complete the assembly.

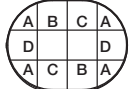
FORMATIONS™

Accent and Acoustical Clouds

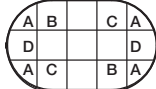
Curved Panel Options



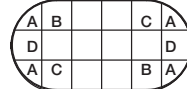
6'
Circle



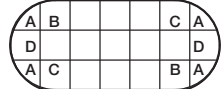
6' x 8'
Oval



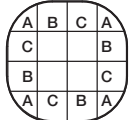
6' x 10'
Oval



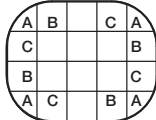
6' x 12'
Oval



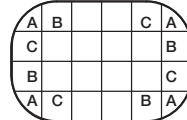
6' x 14'
Oval



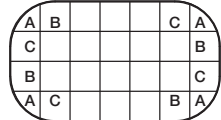
8' x 8'
Rounded Square



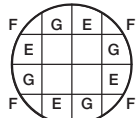
8' x 10'
Rounded Square



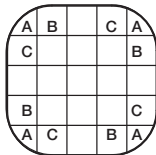
8' x 12'
Rounded Square



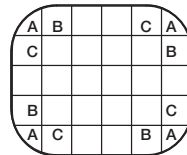
8' x 14'
Rounded Square



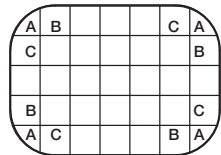
8'
Circle



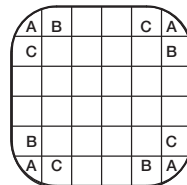
10' x 10'
Rounded Square



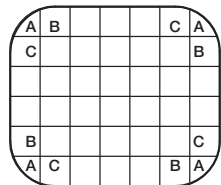
10' x 12'
Rounded Square



10' x 14'
Rounded Square



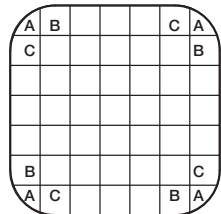
12' x 12'
Rounded Square



12' x 14'
Rounded Square

FORMATIONS Curves –
Replacement Panels (2 panels/carton)

Panel	Optima Vector Replacement Panel Number	Ultima Vector Replacement Panel Number
A	3960	1960
B	3961	1961
C	3962	1962
D	3963	1963
E	3964	1964
F	3965	1965
G	3966	1966



14' x 14'
Rounded Square

MORE INFORMATION

For more information, or for an Armstrong representative, call 1 877 ARMSTRONG.

For complete technical information, detail drawings, CAD design assistance, installation information and many other technical services, call TechLineSM services at 1 877 ARMSTRONG or FAX 1 800 572 TECH.

For the latest product selection and specification data, visit armstrong.com/ceilings.