

CEILING SYSTEMS

[Between us, ideas become reality.™]

METALWORKS™ Concealed Beveled Clip-in- Installation Instructions

1. GENERAL

1.1. Product Description

MetalWorks Concealed Beveled Clip-in is a downward accessible galvanized steel ceiling panel available in standard 24" x 24" size. It is designed to install on the MPT 4500 suspension system. All full panels can be removed and reinstalled without movement up into the plenum area.

1.1.1. Standard Installation

This is an indirect suspension that consists of a 1-1/2" carrying channel supported by #12 gauge wire, the MPT 4500 main beam, which is attached to the carrying channel by means of the #B4 wire clip, and the snap-in panels. The perimeters are trimmed with item #7835 "C" channel, and cut panel edges are held in contact with the molding by means of item #7835SC spreader channel.

1.1.2. Alternate Installation

A direct suspension installation may be achieved by screwing the MPT4500 main beams to the face of a standard Drywall or Prelude® T-bar grid system.

1.2. Surface Finish

MetalWorks Clip-in panels are powder coated and available microperforated or nonperforated in standard white (WH), silver grey (SG) and gun metal grey (MY) finishes. The perforated finishes have a black acoustical fleece factory-applied to the backside of the panel. The surface of these panels is scrubbable, soil-resistant and nondirectional. An optional fiberglass infill is available for increased sound absorption (Item #820-01-00).

1.3. Storage and Handling

Ceiling panels shall be stored in a dry interior location and shall remain in cartons prior to installation to avoid damage. The cartons shall be stored in a vertical position. Proper care should be taken when handling to avoid damage or soiling.

NOTE: MetalWorks Clip-in panels are packaged with the face of the panel toward the outside of the carton. Exercise care in moving and opening cartons to prevent damage to the panel face.

1.4. Site Conditions

Building areas to receive ceilings shall be free of construction dust and debris. Products with HumiGuard™ Plus performance can be installed in conditions up to 120°F (49°C) and in spaces before the building is enclosed, where HVAC systems are cycled or not operating. They cannot be used in exterior applications, where standing water is present or where moisture will come in direct contact with the ceiling.

1.5. Plenum

The installation of MetalWorks Clip-in panels requires no more space in the plenum than that which is required to hang the suspension system. Panels never need to travel into the plenum space during installation or removal.

The total height of the ceiling assembly is 3-1/4" measured from the face of the panel to the top of the carrying channel or main beam. Additional space is required for the attachment devices and suspension wires.

2. SUSPENSION SYSTEM

The MPT 4500 main beams are installed every 2', and are attached to the 1-1/2" by 16 gauge carrying channel on 4' centers using the B4 wire clip. Alternately, they may be screw-attached perpendicular to Drywall or Prelude main beams on 4' centers with two #6 x 7/16" self drill screws at each intersection.

2.1. Location of the first main beam shall be as detailed on the reflected ceiling plan, so as to provide borders that are equal in size and greater than 1/2 of the full panel width.

2.2. Hangers and bracing are to comply with local code requirements.

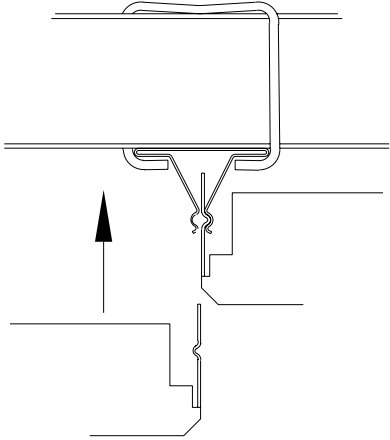
2.3. Perimeters are trimmed with item 7835 channel molding attached with appropriate fasteners.

2.4. Cut edges are held down against the molding by inserting a 7835SC spreader channel into the molding over each cut panel.

2.5. Panel Installation

Panels are mechanically directional. Two opposite sides feature a pair of “pips” that engage the main beam and retain the panel.

2.5.1. Align the edges with the opening on the bottom of the main beam and press up into place with the palm of the hand.



2.5.2. The use of a string line is recommended to maintain panel alignment perpendicular to the main beams.

2.6. Cut Panels

Cut panels should never occur within the field of the ceiling. All ceiling mounted services must either replace a full panel, install into a hole cut in a panel or be mounted through the face of a panel.

2.6.1. See MetalWorks Cutting Instructions—LA 295521 for detailed information about cutting Armstrong metal ceilings. This document discusses the advantages and disadvantages of several types of equipment and how they are used when cutting our products.

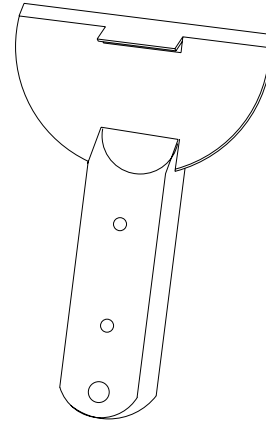
2.6.2. When fiberglass infill is used, it also must be cut to size. This is best done with a large pair of shears or scissors. Reseal the poly bag with packing tape prior to installation.

2.6.3. Insert the cut edge of the panel into the “C” molding and snap the “pips” into the main beam. Reach over the grid work and insert a 7835SC spreader channel into the “C” molding to hold the cut edge in place.

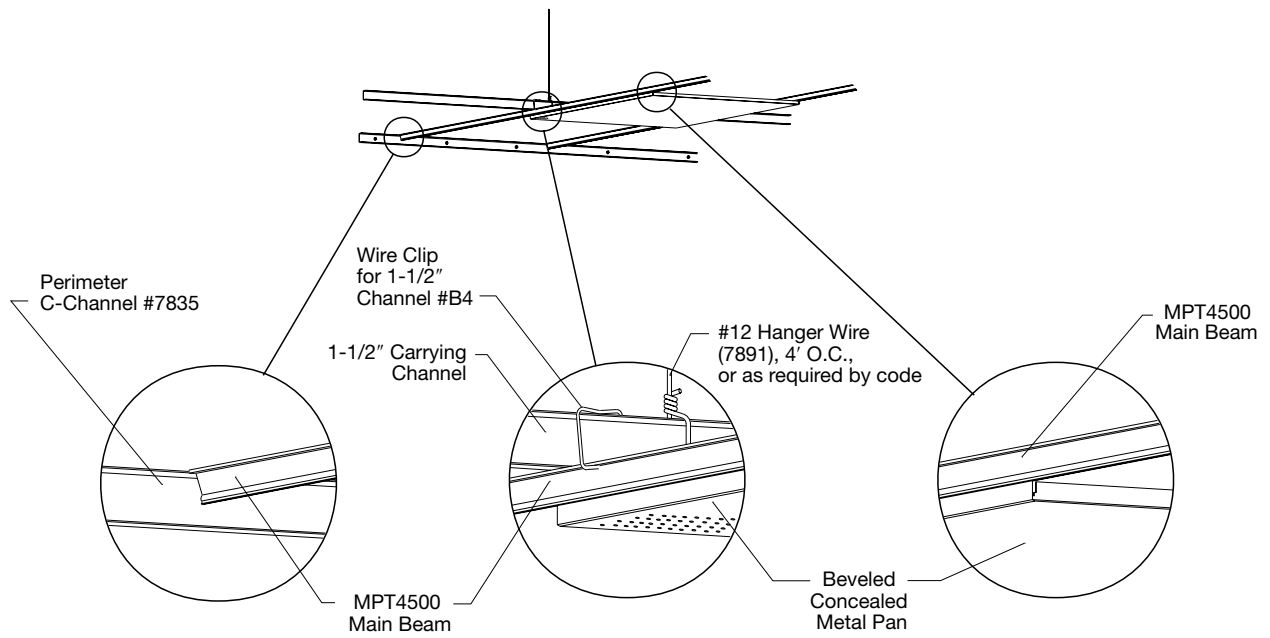
2.7. Panel Removal

All panels are removable without moving up into the plenum.

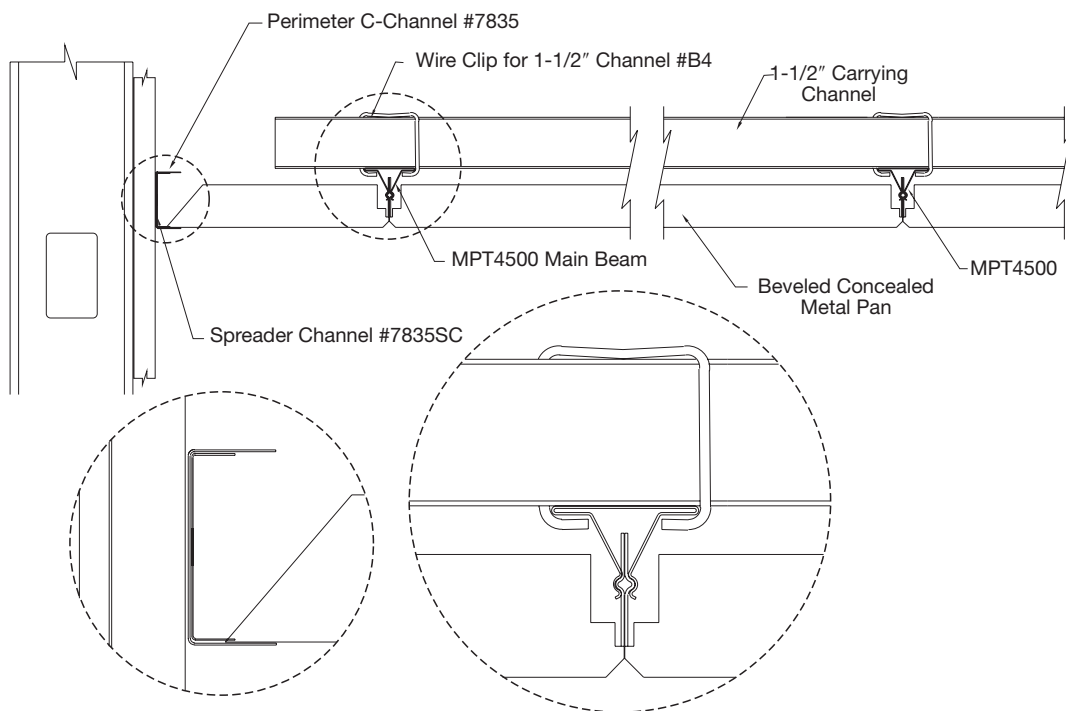
2.7.1. The panel removal tool, item # C1800, is inserted into the joint between two panels. When inserted far enough, the tool will engage the top edge of the panel. Pull down gently to release the panel from the MPT 4500 main beam.



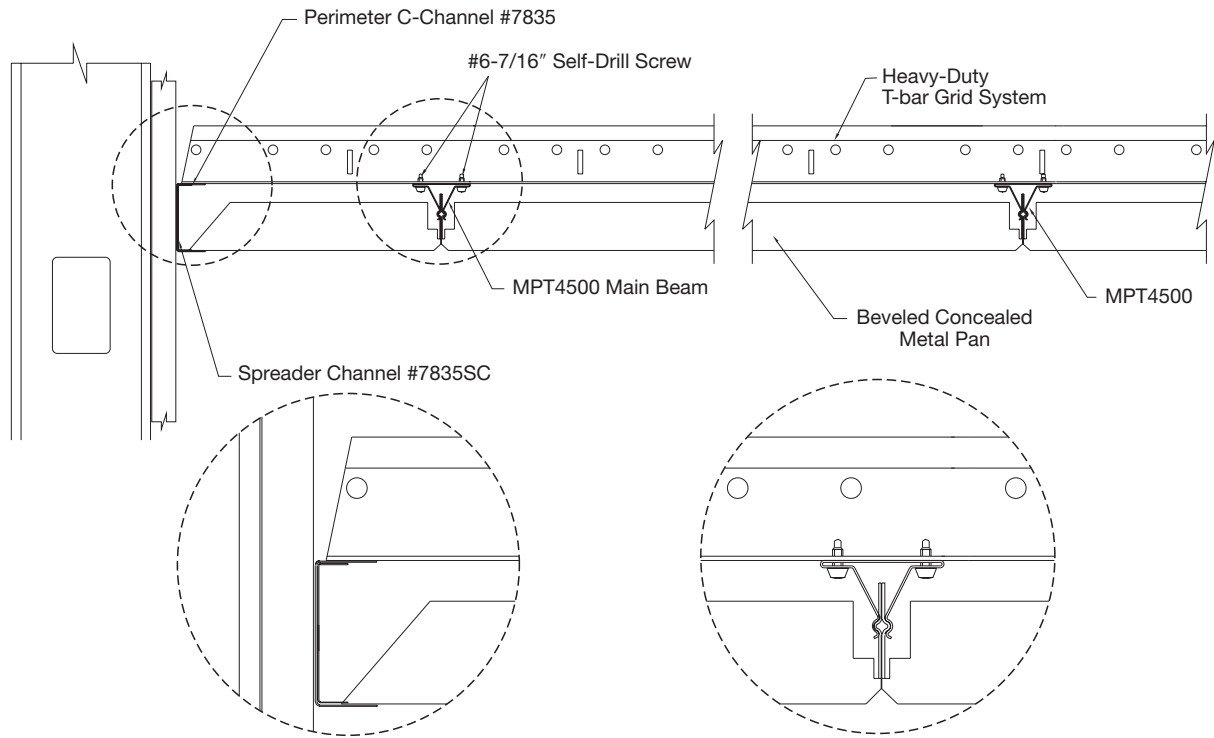
2.7.2. Adjacent panels may be removed from the same row of mains without further use of the tool.



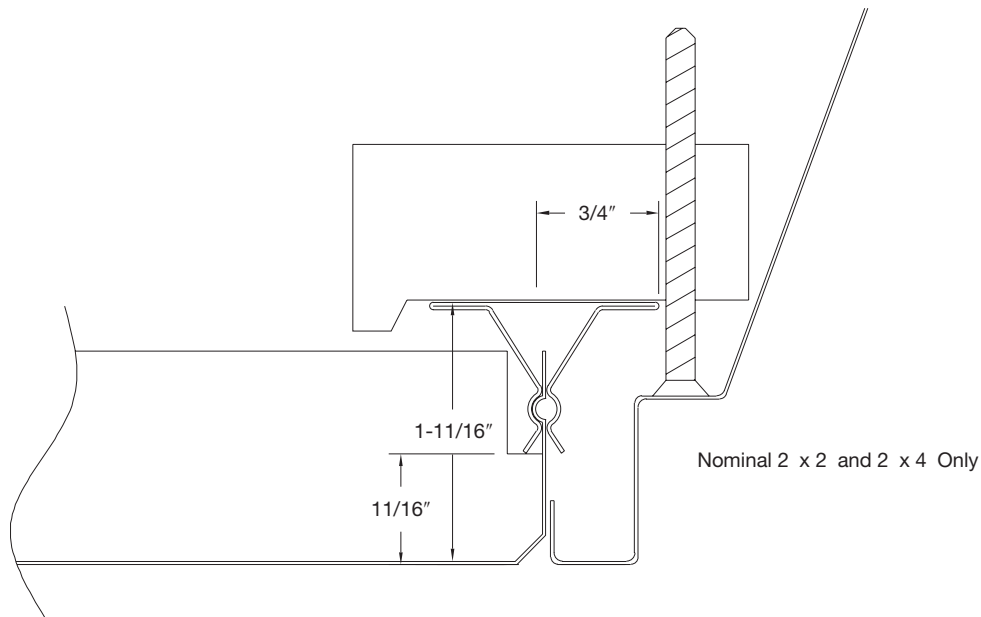
Perspective view of MetalWorks Clip-in ceiling installed on 1-1/2" carrying channel



Section detail of MetalWorks Clip-in ceiling installed on 1-1/2" carrying channel



Section detail of MetalWorks Clip-in ceiling installed on 15/16" T-bar grid



Critical dimensions for NEMA type M and Z fixtures installed with MetalWorks Beveled Concealed Panels

MORE INFORMATION

For more information, or for an Armstrong representative, call 1 877 ARMSTRONG.

For complete technical information, detail drawings, CAD design assistance, installation information and many other technical services, call TechLine™ services at 1 877 ARMSTRONG or FAX 1-800-572-TECH.

For the latest product selection and specification data, visit www.armstrong.com

U.S. Patents Pending, including US Publication No. 2004/0182022.