

SOUND DIFFUSERS Ceiling and Wall Accessories

Installation Instructions

1. GENERAL

Sound Diffuser panels are molded fiberglass shells available in two shapes, barrel and pyramid, and in three sizes, nominal 2' x 2', 2' x 4' and 4' x 4'. They may be wrapped in any of the standard Soundsoak® fabrics or finished in a white textured gelcoat. Diffusers are available as lay-in panels for 15/16" T-bar grid or for attachment to a wall surface. For custom sizes and finishes, contact Architectural Specialties at 877 ARMSTRONG, select options 1-1-4.

1.1 Design Considerations

Lay-in panels are only produced for 15/16" grid.

Wall mount panels are approximately 1" smaller than their nominal dimension.

Field fabrication is to be limited to attachment of clips for the wall mount application. No other cutting or drilling is recommended.

Panel weights are as follows:

2' x 2' — 5 lb

2' x 4' — 8 lb

4' x 4' — 15 lb

2. INSTALLATION

2.1 Grid mount units

Remove units from packaging material and drop into standard 15/16" suspended ceiling grid. Follow reflected ceiling plan closely to ensure proper location and orientation of the shapes.

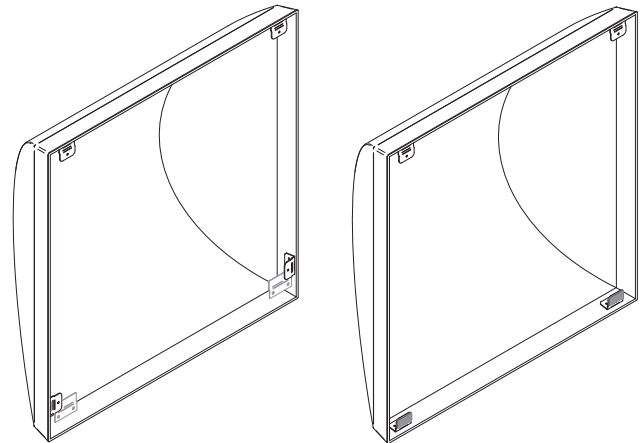
Panels will extend 8" below the face of the grid system.

No cutting or drilling is recommended. All less than full-size borders are to be filled with coordinating ceiling panels.

2.2 Wall mount units

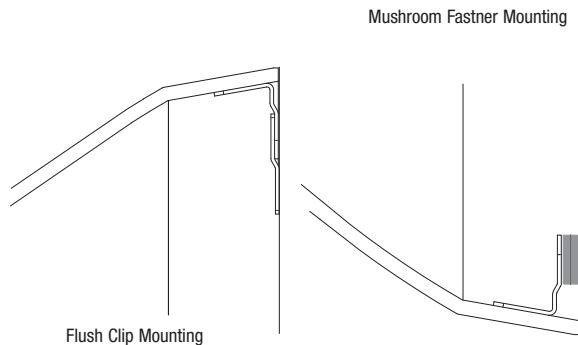
Units are attached to the wall by means of "Z" clip hardware. Two sets of clips are to be attached to the top side of each unit to provide support. Two options are available to hold the

bottom of the unit against the wall. Additional sets of clips can be attached near the bottom of the two vertical sides of the panel. This method of attachment is easy to remove and provides secure attachment on inward sloping surfaces. Alternately, two panel clips can be attached to the bottom edge of the unit and secured to the wall with self-locking mushroom head fasteners. **Hardware is provided except for pop-rivets needed to attach the panel clips to the units and the fasteners required to attach the wall clips to the mounting surface.**

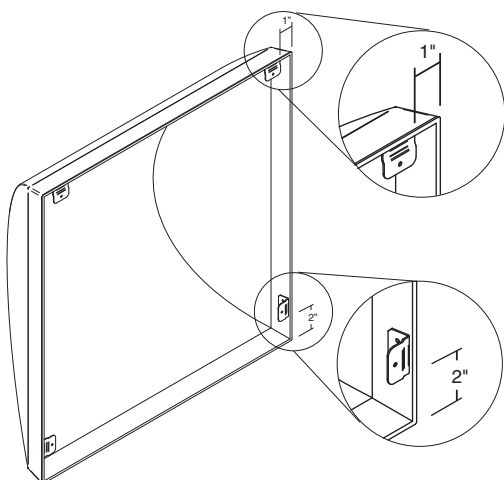


2.2.1 Prepare the panels for mounting by attaching panel clips.

Clamp the panel clips in position and drill through the shell with a 1/8" diameter drill bit. Fasten each clip with two medium length 1/8" diameter pop-rivets inserted through the drilled holes and the panel clip. Panel clips that will engage wall clips must be set flush with the back of the unit; panel clips that will attach to the wall with the mushroom head fastener must be set deeper into the unit so that the shell will be close to the wall and the adhesive pad on the fastener will make contact with the mounting surface.

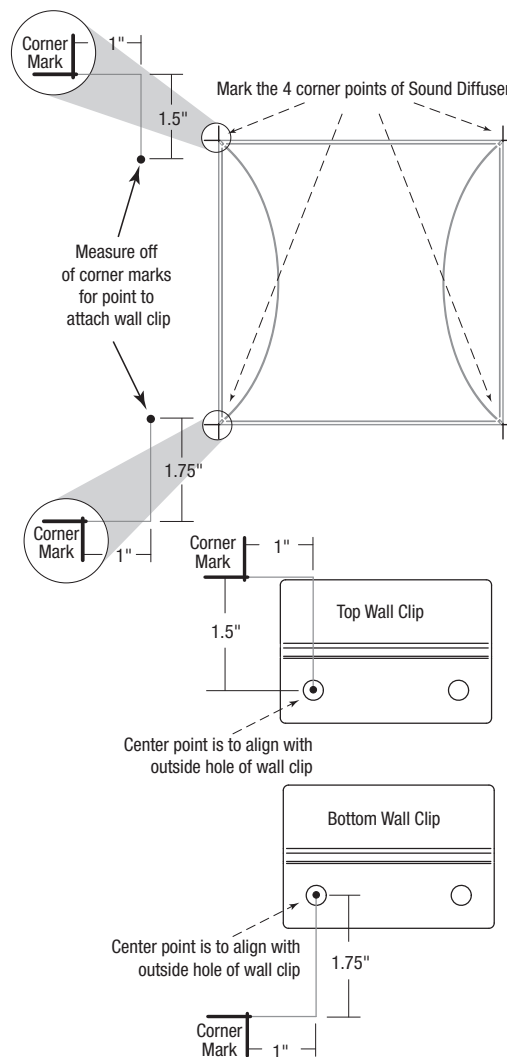


NOTE: Location of the clips along the panel edges is not critical. However, if the following measurements are used, locating the mating wall clips will be much easier. Position the outer edge of each clip on the top edge of the panel 1" in from the corner of the unit. When wall clips are to be used to secure the bottom edge of the units, position them with the lower edge of the clip 2" up from the bottom corner of the unit. Location of clips with mushroom fasteners is not critical.



2.2.2 Attach wall clips to the mounting surface.

Locate the unit on the mounting surface and mark the four corners. If using the dimensions noted above, measure in 1" and down 1-1/2" from each top corner and make a mark. If using wall clips at the bottom of the units, measure in 1" and up 1-3/4" from each bottom corner and make a mark. These marks are the locations for the fasteners that will hold the wall clips in place. Use fasteners appropriate for the wall construction and the weight of the Sound Diffusers. Make sure that the top edges of the wall clips are parallel to the wall surface. Use a thin blade to bend the clip as needed if the top edge is too close to the wall.



2.2.3 Hang the Sound Diffusers on the clips.

Position the unit over the wall clips and slide down to engage the hardware. When using the mushroom fastener, remove the protective film from the adhesive pad before placing the unit in position. Hold the bottom edge away from the wall surface until the unit is seated fully onto the clips then press the adhesive against the wall.

MORE INFORMATION

For more information, or for an Armstrong representative, call 1 877 ARMSTRONG.

For complete technical information, detail drawings, CAD design assistance, installation information and many other technical services, call TechLine™ services at 1 877 ARMSTRONG or FAX 1 800 572 TECH.

For the latest product selection and specification data, visit armstrong.com/diffusers.

U.S. Patents Pending, including US Publication No. 2004/0182022.