



Capz 4' x 4' in Optima® White with Silver Caps

Key Selection Attributes

Acoustical Correction

- Noise is absorbed on both the front and back of the panels (NRC 0.90)

High Performance Panels

- Available in two fine-textured finishes:
 - Optima – White
 - Spectra™ – Tech Black
- High light reflectance 0.90 (Optima)

Installation

- Easy alignment grid system
- Can be installed:
 - As close as 2-3/4" from deck to panel face
 - As far as 6-1/2" between deck and panel face
 - Suspended off wires at desired ceiling elevation

Typical Applications

- Exposed structure
- Drywall spaces requiring acoustical correction
- Painted decks

Color Selection



Optima White



Spectra Tech Black*

* Black available only in 4' x 4'

Standard Cap Finish Colors



White (WH) Textured



Silver (SL) Smooth



Tech Black (BL) Textured

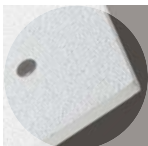
Flexible for multiple applications

Capz works well in either retrofit or new spaces – it's a flexible fit and offers 7 panel sizes that can be installed:

- Directly to the deck
- On drywall
- Suspended like a continuous ceiling

Panels can be designed in long runs or grouped based on the acoustical needs of the space.

Detail



OPTIMA White



SPECTRA Tech Black

Acoustical Ceiling System

Capz⁺ offers a fun, architectural detail

Capz hardware is available in a coordinating white or black cap or in a more contrasting sleek and cool clear-coated silver. It's up to you. Or choose a custom color for a more playful installation.

Select your texture, panel sizes, layout and cap color

LEED® Credits

Energy	Waste Mgmt	Recycled Content	Local Materials	Renewable Materials	Daylight & Views	Acoustics	Low Emitting or CHPS
✓	✓	✓	✓	✓	✓	✓	✓
Location Dependent							

\$\$\$\$\$

Panel sizes

Field Panel Sizes

Item	Description	
Standard Sizes – all Reverse Tegular edge		
3934	2' x 4' x 7/8" Optima®	White
3935	2' x 5' x 7/8" Optima	White
3930	2' x 6' x 7/8" Optima	White
3931	2' x 8' x 7/8" Optima	White
3936	3' x 3' x 7/8" Optima	White
3932	4' x 4' x 7/8" Optima	White
3933	4' x 8' x 7/8" Optima	White
3932BL	4' x 4' x 7/8" Spectra™	Tech Black*

† U.S. Patent pending

* Black available only in 4' x 4'

1. Review current space plan, noting all potential interruptions to panel layout; i.e., lighting, sprinklers, plumbing, HVAC, electrical conduits as well as joists or beams that are part of the structure. In new construction, depending upon the phase of the process in which you're specifying ceilings, you may be able to organize mechanical systems around your panel design to achieve design and acoustical performance. In renovation, you'll have to plan around what's already there.
2. Reference available panel sizes, see chart and select the sizes that work best with your plan/design intent.

Color

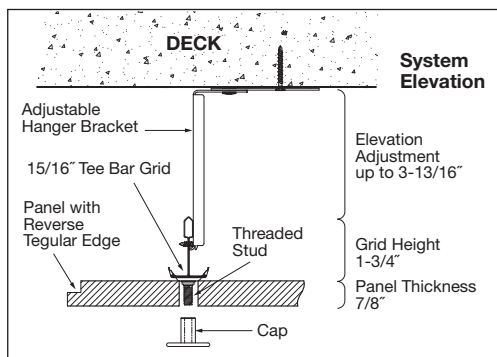


White Optima



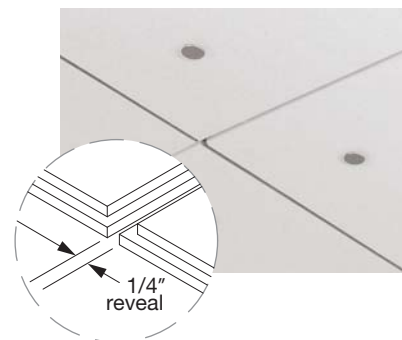
Tech Black Spectra

Four easy steps to install



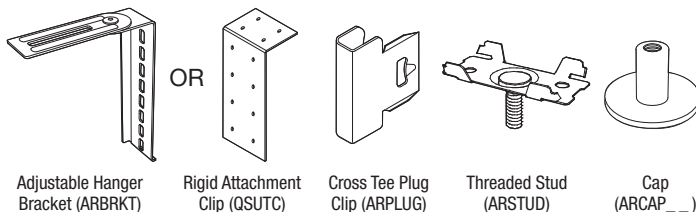
Capz is installed with standard 15/16" Prelude® grid. May be installed 2-3/4" to 6-1/2" (approximately) from the deck to the panel face. Panels are aligned with a 1/4" reveal.

For suspension system layout and components, refer to the Capz Technical Guide, CS-3939.



1. Attach adjustable hanger bracket or rigid bracket to the deck
2. Screw 15/16" grid to bracket, insert cross tees and plug clip
3. Snap on threaded stud, raise Capz panel
4. Thread on cap

Capz Hardware Components



When specifying or ordering, include the appropriate color suffix (WH, BL or SL) with the item number.

Design Considerations

- In situations where all four suspension points cannot be used, follow our technical guide for recommendations.
- Panels are installation directional and are marked on the back with arrows. Install all Capz panels with the directional arrow in the same direction to provide installation consistency, uniform visual and proper panel alignment.
- Suspension system may be visible at panel intersection. Consider using coordinating Prelude® White or Tech Black.

Physical Data

Material

Optima is fiberglass with a DuraBrite® acoustically transparent scrim. Spectra Tech Black is fiberglass with an acoustically transparent scrim.

Surface Finish

Optima White has a DuraBrite finish with factory-applied acrylic latex paint providing superior light reflectance. Spectra Tech Black has a factory applied latex paint.

Acoustics

Capz panels provide outstanding acoustical correction.

Panel Deflection

Capz will naturally deflect due to the Capz four-point suspension system. Deflection of up to 1/8" has been documented in some cases.

Low Formaldehyde

Low formaldehyde – contributing less than 13.5 ppb in typical conditions per ASHRAE Standard 62, "Ventilation for Acceptable Indoor Air Quality," California Code Title 24, and other building types in CHPS Section 01350.

Anti Mold/Mildew & Bacteria

Fiberglass substrate is inherently resistant to the growth of mold, mildew and bacteria.

Weight; Square Feet/Carton

3930, 3936 – 0.56 lbs/SF; 72 SF/ctn
 3935 – 0.56 lbs/SF; 80 SF/ctn
 3931, 3934 – 0.56 lbs/SF; 96 SF/ctn
 3932, 3933 – 0.56 lbs/SF; 128 SF/ctn
 3932BL – 0.56 lbs/SF; 128 SF/ctn

Warranty

Optima Capz – 30 year
 Spectra Capz – 1 year

Installation Considerations

- Please refer to installation instructions LA-297435 before installing Capz
- Panels are pre-drilled to accept hardware caps
- Panels may be stacked in layers
- Panels may be installed on a slope using installation guidelines found in installation instructions LA-297435
- For minor surface or edge scratches to Optima Capz use the Armstrong SuperCoat™ Touch-up Paint item #5761
- Consider lifting Spectra Tech Black panels to grid face during cap installation to avoid scuffing

TechLineSM / 1 877 ARMSTRONG
 1 877 276 7876

armstrong.com/ceilings (search: capz)
 CS-4056-809

LEED® is a registered trademark of the U.S. Green Building Council
 All other trademarks used herein are the property of AWI Licensing Company and/or its affiliates
 © 2009 AWI Licensing Company • Printed in the United States of America

