

DRYWALL GRID SYSTEM

Accessories

Key Selection Attributes

Problem-solving drywall accessories that provide installation solutions, saving time, money and labor.

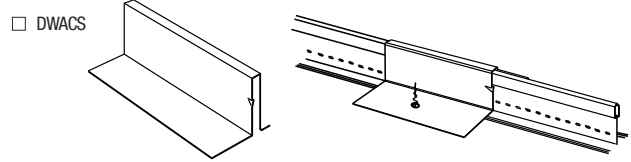
Product Description

Materials

A. General: Commercial-quality cold rolled hot dipped galvanized steel, chemically cleansed.

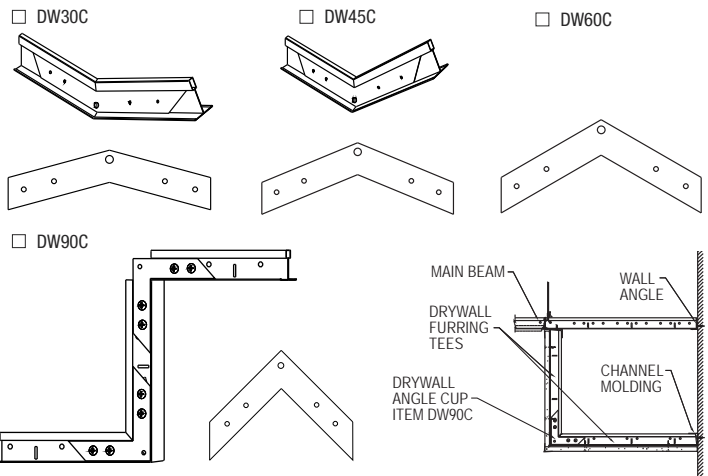
B. Components:

1. DWACS - Drywall Attachment Clip
Facilitates transition from drywall to acoustical ceiling; locks under bulb of grid section to prevent upward movement and provide secure attachment surface on one side of exposed grid

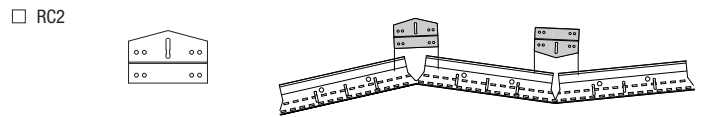


Note: For use with 15/16" Face dimension suspension system.

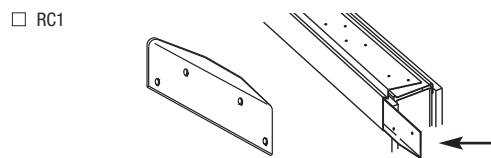
2. DW30C - 30° Drywall Angle Clip
Used to create positive and secure angles for drywall and ceiling installations on either main beams or cross tees; attachment to be made with 7/16" pan head screw



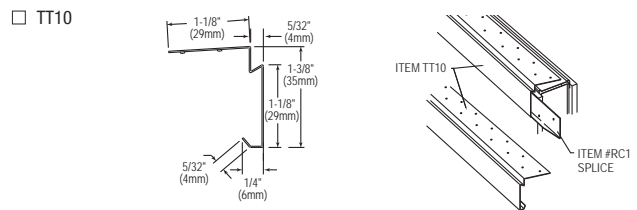
3. RC2 - Radius Clip is used for drywall applications which form curved installations; attaches to the cavity side of web of the main beam with four 7/16" pan head screws; **install at all knockout locations**



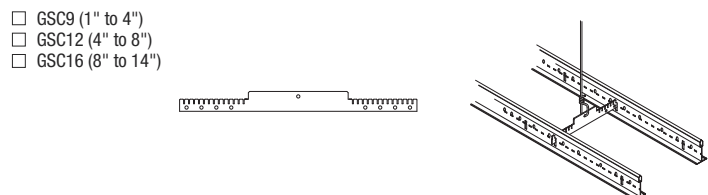
4. RC1 - Splice Clip is used as a main beam splice or partition top trim splice



5. TT10 - 10' Partition Top Trim
Used to finish off the top of a drywall partition for a continuous drywall/acoustic ceiling interface



6. Adjustable Grid Spacer Clip
Used to space two parallel main beams for light fixtures, air diffusers, etc.; allows for 1/4" adjustments with three different clips

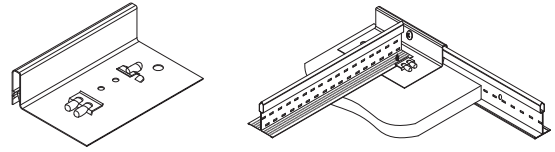


DRYWALL GRID SYSTEM

Accessories

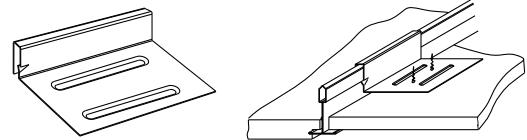
7. DW58LT - Transition Clip with Locking Tabs for 5/8" Drywall
Facilitates transition from drywall to acoustical ceiling; one-sided hold-down clip; eliminates need for drywall bead. Locking tabs provide secure location for DGS tees.

DW58LT



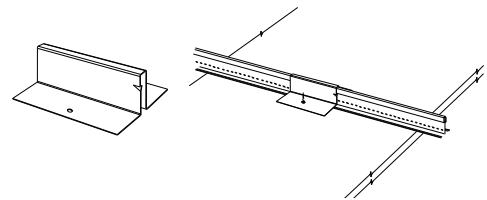
8. DW50 - Transition Clip for 1/2" Drywall
Facilitates transition from drywall to acoustical ceiling; one-sided hold-down clip; eliminates need for drywall bead

DW50



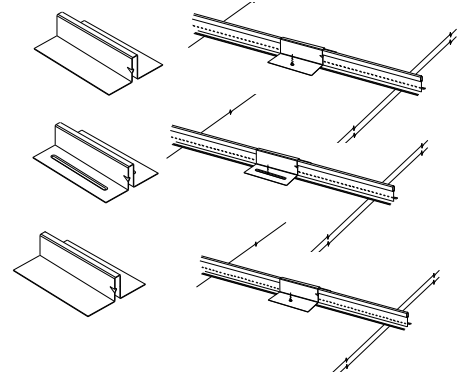
9. MBAC - Main Beam Adapter Clip
Attaches to web of grid section; provides larger surface for screw attachments; used as a hold-down clip for thin material (metal or plastic lay-in panels); fastens drywall track to underside of exposed grid with lay-in panels, leaving grid face free of screw holes

MBAC



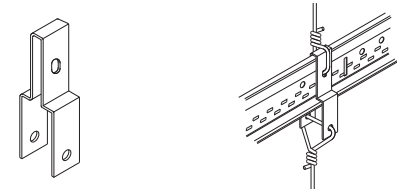
10. External Hold-Down Clip
Locks under bulb of grid section to prevent upward movement and provide secure attachment surface. Keeps acoustical and drywall ceiling components in place during wind uplift and in high security areas.

EHDC50 (for 1/2" ceiling panels and drywall)
 EHDC58 (for 5/8" ceiling panels and drywall)
 EHDC75 (for 3/4" ceiling panels and drywall)
 Other _____



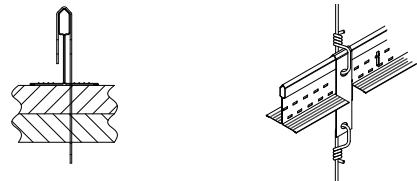
10. DLCC - Direct Load Ceiling Clip
to hang suspension system below existing 15/16" grid face, transferring weight directly to hanger wire; may be used to preserve the fire rating of an existing ceiling and to support heavy accessories

DLCC



11. DDC - Double Drywall Clip to hang suspension system below existing 1-1/2" grid face, transferring weight directly to hanger wire; may be used to preserve the fire rating of an existing ceiling and to support heavy accessories; allows for double layer of 5/8" gypsum board

DDC



11. DWC - Drywall Clip allows for a "second" ceiling to be installed below a drywall ceiling; attach through installed drywall to supporting structure

DWC

