

SERPENTINA™ Vault

smooth texture



SERPENTINA Vault

Color Selection



White (WH)



Brushed Natural
L6429 (408)



Crystal Steel
S6501 (414)



Matte Natural
Aluminum
6252 (419)

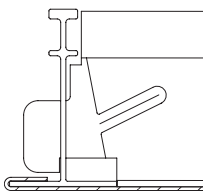


Satin
Brushed Gold
6258 (419)

Note: Wilsonart decorative metal finishes are available as a special order for SERPENTINA Vault unperforated items only. For Wilsonart samples, call 800-433-3222.

Other custom paint finishes available for SERPENTINA Vault items as a special order.

Detail



SERPENTINA Vault



SERPENTINA™ Vault

smooth texture

Key Selection Attributes

- Unique design statement
- Durable
- No visible grid
- Choice of finishes

Typical Applications

- Corridors
- Private offices
- Lobbies
- Accent areas

Relative Installed Cost

\$	\$\$	\$\$\$	\$\$\$\$
----	------	--------	----------

Colors

White (WH)
 Brushed Natural L6429 (408)
 Crystal Steel S6501 (414)
 Matte Natural Aluminum 6252 (419)
 Satin Brushed Gold 6258 (419)

Visual Selection

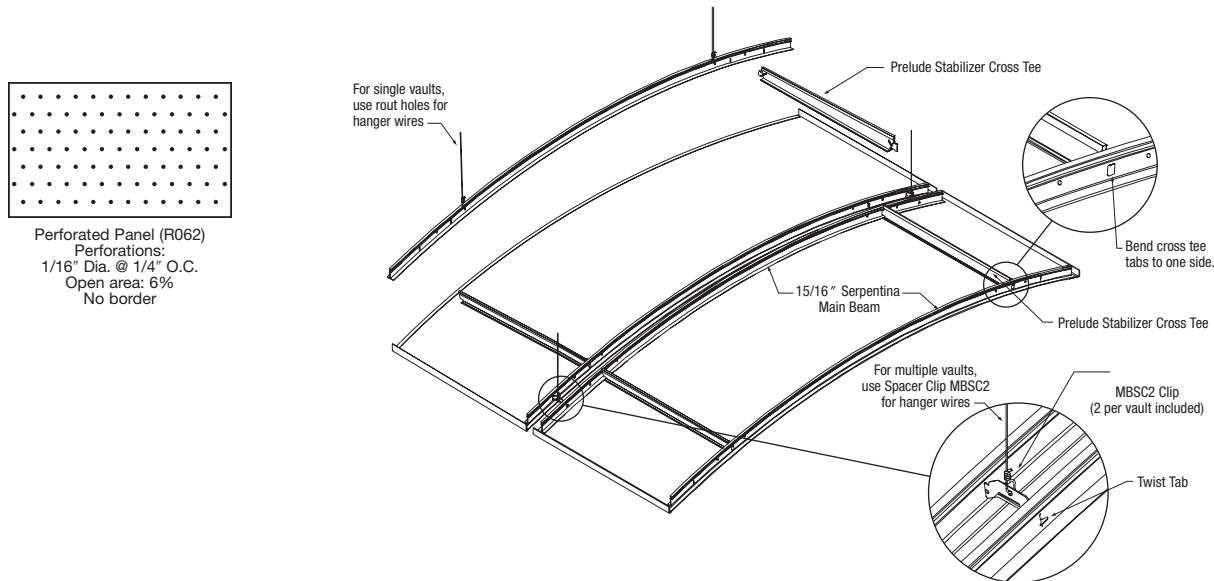
Performance Selection

GRID FACE	EDGE PROFILE	ITEM NUMBER	DIMENSIONS	ACOUSTICS		FLAME SPREAD/ SMOKE DEVELOPED	SAG RESIST	AVERAGE LIGHT REFLECT	DURABILITY
				NRC	CAC				
SERPENTINA Vault									
N/A	Hemmed and Upturn	FR62000 15° arc	23-1/8 x 72" perforated (R062) with acoustical fleece	NA*	—	25-50	-	0.60**	Soil-Resistant
		FR62001 30° arc							
		FR62002 45° arc							
N/A	Hemmed and Upturn	FR62003 15° arc	23-1/8 x 72" unperforated	NA*	—	25-50	-	0.78**	Soil-Resistant
		FR62004 30° arc							
		FR62005 45° arc							

Accessories: PRELUDE® ML Stabilizer Cross Tee (2 per vault – included)
 Clips: MBSC2 (2 per vault – included)

* No ASTM test exists for vault configurations

** Applies to white panels only



Physical Data

Material

Aluminum thickness .025"

Surface Finish

Factory-finished polyester paint

Fire Certification

Factory Mutual Approvals
 Specification tested per ASTM E 84 and CAN/ULC S102

ASTM E 1264 Classification

Fire Class – Class A
 FR62003, FR62004, FR62005 – Type XX (Nonacoustical aluminum panel), Pattern G
 FR62000, FR62001, FR62002 – Type XX (Perforated aluminum panel), Pattern C

Recycled Content

25%

Backloading Recommendation

None

Weight; Pieces/Carton

0.47 lbs/SF; 1 piece/ctn

Warranty

Details: armstrong.com/ceilings

Recommended Suspension System

ITEMS

Prepackaged system including:

SUSPENSION SYSTEM

Two 6' SERPENTINA 15/16" Grid Main Beams,
 Two PRELUDE ML Stabilizer Cross Tees (21'), and two MBSC2 (Main Beam Spacer Clips)

TechLine™ / 1 877 ARMSTRONG
 1 877 276 7876

armstrong.com/ceilings

CS-3621-1205

© AWI Licensing Company, 2005 • Printed in the United States of America • 10% post consumer waste. Printed with vegetable inks. ♻️ Recyclable.