



CEILING SYSTEMS

[Between us, ideas become reality.]®

AXIOM® Vector® Trim Installation Instructions

1 GENERAL

1.1. Description

Axiom Vector is a unique perimeter trim system designed specifically for use with Vector family of ceiling panels from Armstrong. It is intended for use only with full panel installations.

Axiom Vector duplicates the 1/4" panel reveal at the edges of installations that do not extend to the walls of a space.

Three profile heights are available. AX2VESTR, nominal 2" profile height, AX4VESTR, nominal 4" profile height and AX6VESTR, 6" profile height. Factory cut inside and outside corners are also available for each profile height. All Vector ceiling panels install on 15/16" wide T-Bar grid.

These instructions are divided into four sections detailing material delivery and identification, component assembly, installation and final detailing. Please carefully review all appropriate sections before proceeding with installation.

2 MATERIAL DELIVERY AND IDENTIFICATION

2.1 Delivery

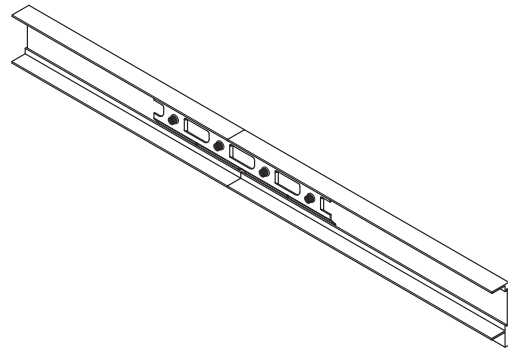
Axiom Vector components and hardware are delivered to the job site in specially designed packaging. Exercise appropriate care to protect the finished surfaces of the channel trim.

2.2 Review

Review the packing slip to insure that the complete order has been delivered to the site.

3 COMPONENT ASSEMBLY

3.1 Splice Plates



AX4SPLICEB – Splice Plate

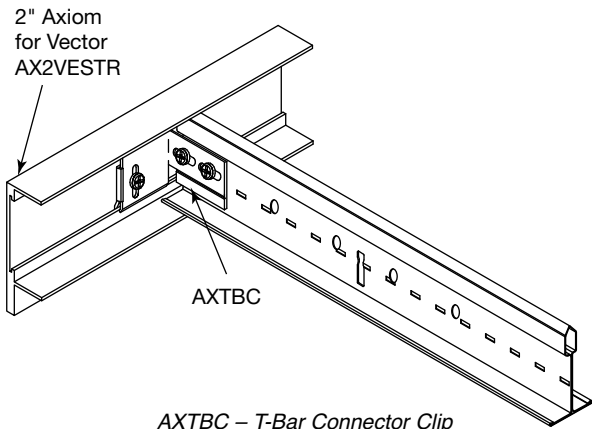
Steel splice plates are used to align and secure all joints between sections of Axiom Vector trim. The two-inch high profile will require one AX4SPliceB plate at each joint. Four and six inch high profiles require two AX4SPliceBs at each joint. Splice plates are secured to the trim sections using factory-installed setscrews. Where desired, it may be beneficial to caulk or tape the backside of the joints to prevent light transmission.

Typical procedure

- 3.1.1 Position the splice plate in the bosses on the inside of the trim.
- 3.1.2 Tighten the setscrews that secure the splice to the trim. CAUTION: do not over tighten these screws to the point where they distort the face of the trim.

3.2 Corner Assembly

- 3.2.1 Factory mitered inside corners and outside corner posts are available.
- 3.2.2 Axiom Vector can be field mitered using a power miter saw equipped with a blade designed to cut aluminum.
- 3.2.3 Bend the splice plate at the center notches to form the desired angle.
- 3.2.4 Pre-mitered inside corners sections are installed using AXSPlice splice plates (2 screw) at the mitered corner and AX4SPliceB plates (4 screw) where the corner elements join the straight trim sections. The outside corner posts ship with the AXSPlice already built into the corner piece and is connected to straight pieces using the splice plate built in to the outside



AXTBC – T-Bar Connector Clip
corner post.

3.3 T-Bar Connection Clips

T-Bar Connection Clips are used to attach the Axiom Vector trim to the supporting suspension system members. These two-piece clips are supplied as an assembled unit with the steel locking screw factory installed. One clip is required at each location where the

grid system intersects the channel trim.

T-Bar Connection Clips are attached to the grid members using screws supplied by the installer. Framing screws (#6 x 7/16" or 1/2" lg.) are typical.

Typical procedure

- 3.3.1 Cut grid to length
- 3.3.2 Attach clip to grid member
- 3.3.3 Engage clip in lower channel bosses and tighten locking screw

4 GENERAL INSTALLATION PROCEDURES

4.1 Lay out and install the suspension system

according to the reflected ceiling plan.

4.2 Cut and install the grid

to maintain precisely 23-1/16" between the outer edge of the 15/16" T-bar grid and the inner edge of the Axiom Trim.

4.3 The correct length

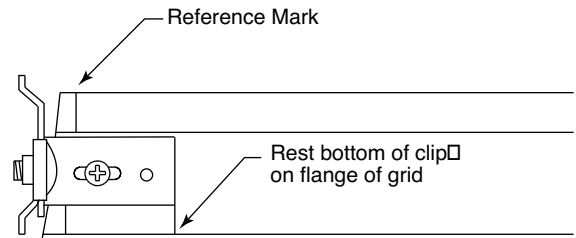
for the Axiom trim, when measured along the inside edge, will be 15/16" less than the nominal dimension of the full panel installation.

EXAMPLE: The nominal dimension of a four panel wide cloud would be 96". The Axiom trim should be cut to 95-1/16" measured along the inside edge.

4.4 Attach the T-Bar Connection Clips

4.5 Install the Axiom Trim

4.5.1 Hang the sections of channel trim onto the grid system by engaging the top ear of the connection clips under the boss of the channel trim. Slide the back plate downward to engage



the lower boss on the trim and secure by tightening the locking screw.

4.5.2 Complete the installation of all channel trim sections. Install and secure the splices

4.5.3 Make adjustments as necessary to properly align the complete installation. Insert a second framing screw in each of the connection clips.

4.6 Add additional hanger wires as required.

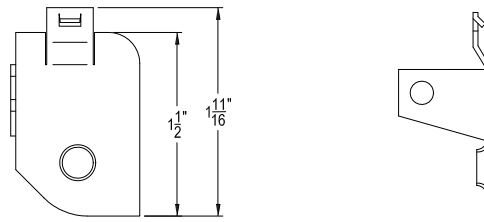
4.6.1 The manufacturer requires that Axiom systems and their supporting suspension systems be installed and supported in a manner that complies with all applicable codes and standards. Typically this will require the use of #12 Ga. Galvanized, soft annealed steel wire, or equivalent. Specification and approval of alternate materials should be by design professionals familiar with the project. Mechanics should exercise care in the application of hangers to minimize the visual impact on the finished installation. Wire wraps should be tight and neat, and where appropriate, the wires may be painted to blend into the background as much as possible.

4.6.2 Main beams must be supported 4' on center or by calculation based on actual ceiling weight.

4.6.3 Cross tees located on each side of a joint in the channel trim and then at 4' centers must be supported by wires closer to the trim than the midpoint of the tee.

4.6.4 Installations in areas requiring seismic restraint may require wires attached to each grid member within 8" of the cut end. This practice is highly recommended for all installations. Lateral force bracing shall be consistent with locally approved standards, or as detailed in the specifications.

4.6.5 The weight of wood Vector panels may require additional support at the perimeter of the installation. In this situation two hanger wires, connected to Hanging Clips (AX2HGC), will be required for each section of channel trim.



AX2HGC – Hanging Clip

4.7 Install Vector ceiling panels.

5 FINAL DETAILING

5.1 Check and adjust the alignment of Axiom components and ceiling panels.

5.2 Clean exposed surfaces as required. Painted Axiom components may be wiped down with a mild household cleaner to remove fingerprints, oil, etc.


5.3 Touch up painted components as required.

5.4 For light cove applications a white latex chalk or tape should be applied to the inside of all seams if light leaks are apparent.



Product group from well-managed forests, controlled sources and recycled wood or fiber
www.fsc.org Cert. no. SW-COC-003348
© 1996 Forest Stewardship Council



Printed on recyclable paper
with vegetable-based inks.
Please Recycle. 

MORE INFORMATION

For more information, or for an Armstrong representative, call 1 877 ARMSTRONG.

For complete technical information, detail drawings, CAD design assistance, installation information and many other technical services, call TechLineSM services at 1 877 ARMSTRONG or FAX 1 800 572 TECH.

For the latest product selection and specification data, visit armstrong.com/axiom.

Axiom[®], Interlude[®], Prelude[®], Silhouette[®], Sonata, Suprafine[®], TechLineSM, Trimlok[®] and Vector[®] are trademarks of Armstrong World Industries, Inc.